

WIRE SHELVING

Action Wholesale Products

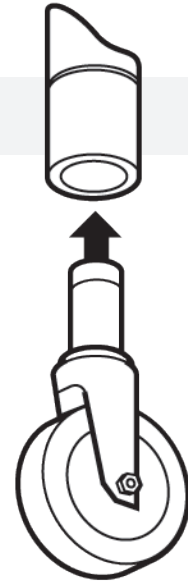
Still need help? Give us a call at:

800-966-3999

Step 1 Build the bottom of post

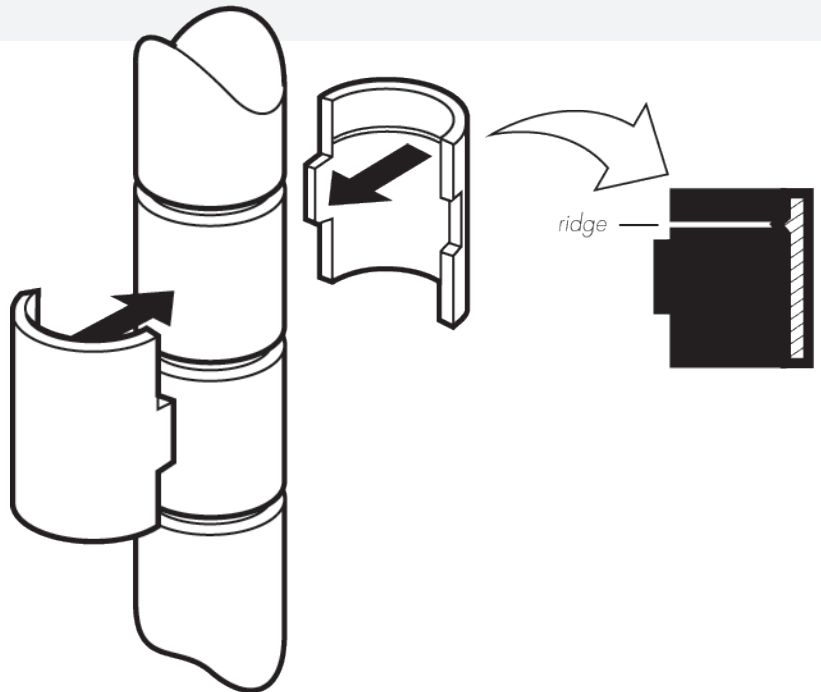


For use with stationary units/shelving



For use with mobile units/shelving

Step 2 Install the split sleeve



Step 3 Slide the shelf over the post

