

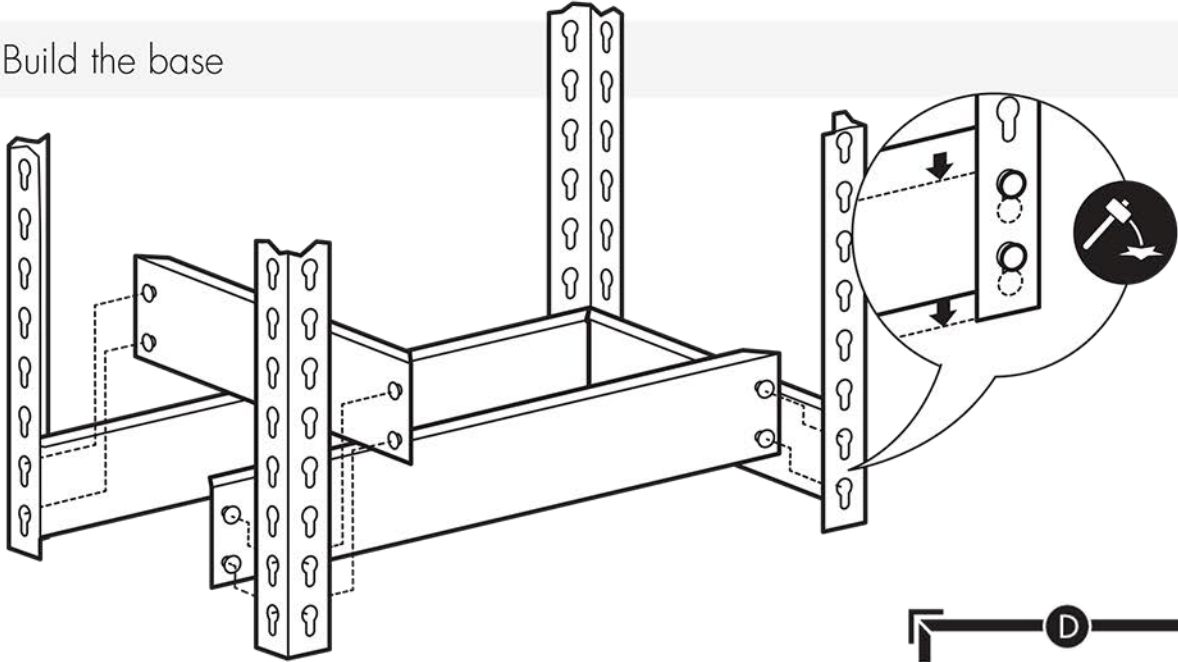
RIVET SYSTEM™

Series 2, 3, and 5

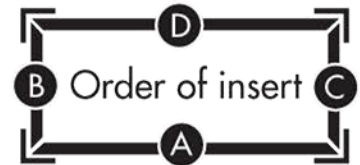


Still need help? Give us a call at:
1-800-966-3999

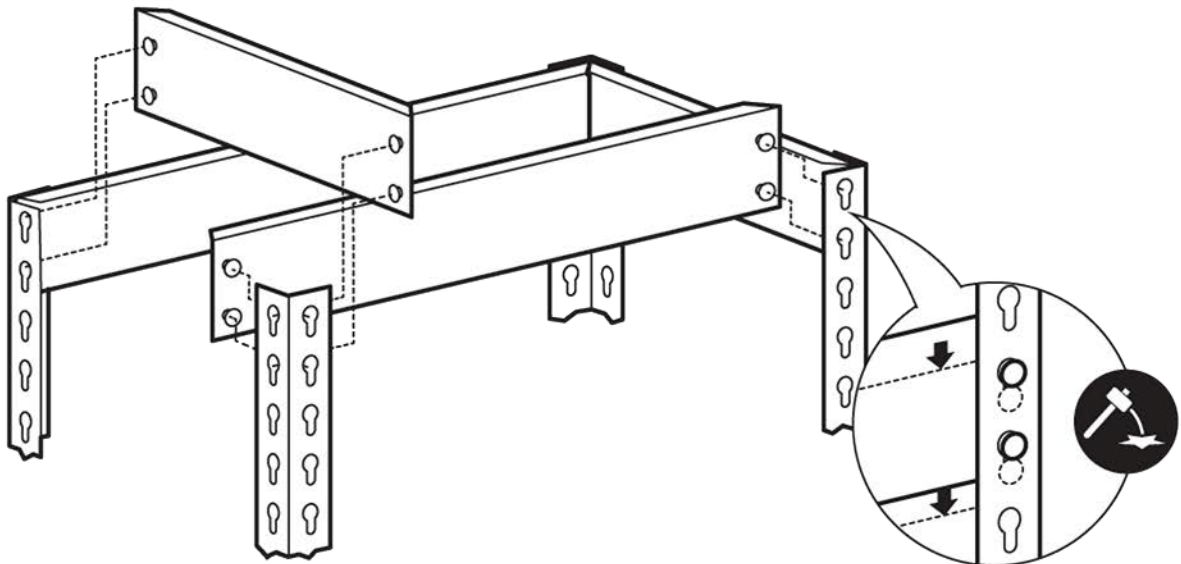
Step 1 Build the base



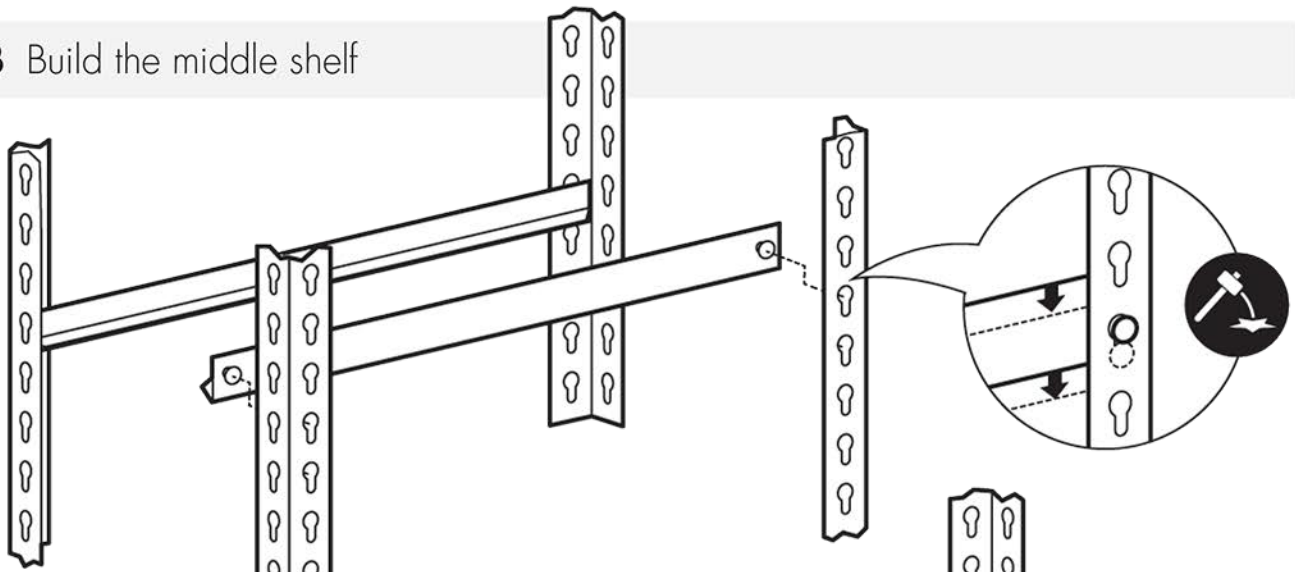
Note: Flange should be facing up on each beam when inserted into post, as the wood will lay on this flange.



Step 2 Build the top



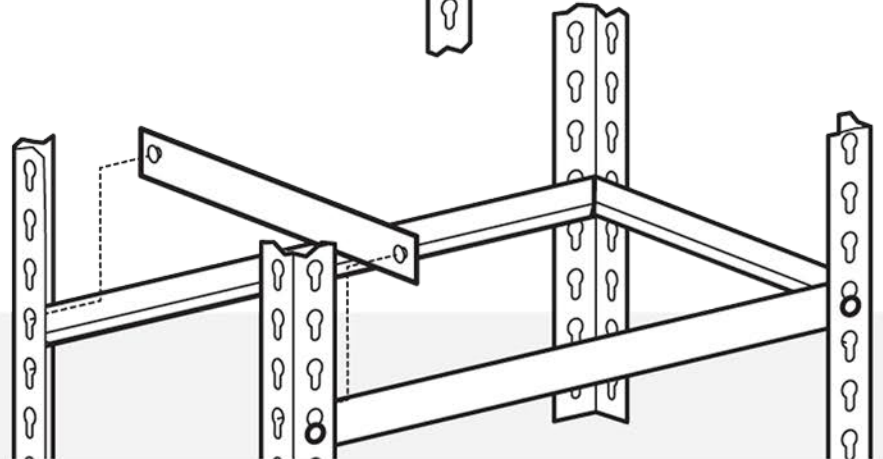
Step 3 Build the middle shelf



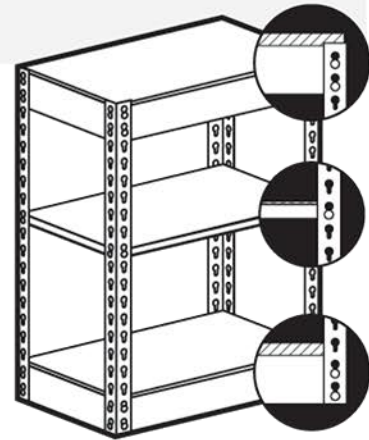
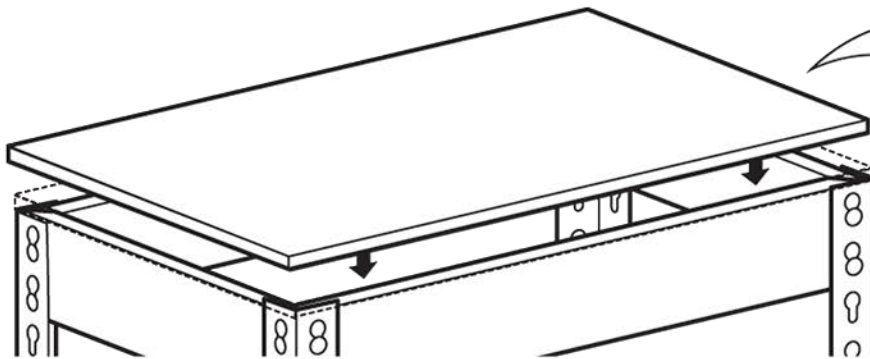
Note: Flange should be facing down on each beam for all middle shelves



Note: There will be an additional step to install a side beam (only comes with series 3 and 5)



Step 4 Place the shelf board on top of each level



Space between each shelf in Inches

	number of shelves						
	4	5	6	7	8	9	10
7	25,3	18,8	14,8	12,2	10,3	8,9	7,8
8	29,3	21,8	17,2	14,2	12,0	10,4	9,1
9	33,3	24,8	19,6	16,2	13,7	11,9	10,4
10	37,3	27,8	22,0	18,2	15,3	13,4	11,8
12	45,3	33,8	26,8	22,2	18,9	16,4	14,4

Numer of Rivet Holes between each shelf

	number of shelves						
	4	5	6	7	8	9	10
7	24	12	9	8	6	5	5
8	18	14	11	9	7	6	6
9	32	16	12	10	9	7	6
10	36	18	14	12	10	8	7
12	44	22	17	14	12	10	9