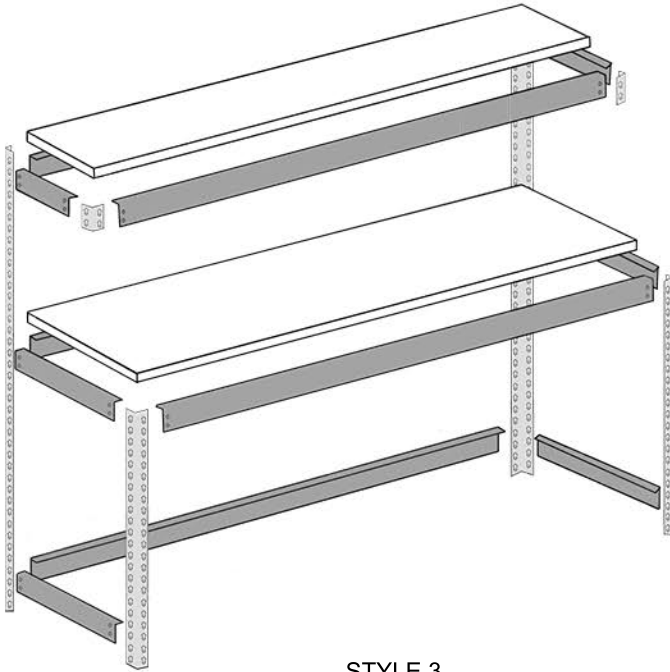


Assembly Instructions

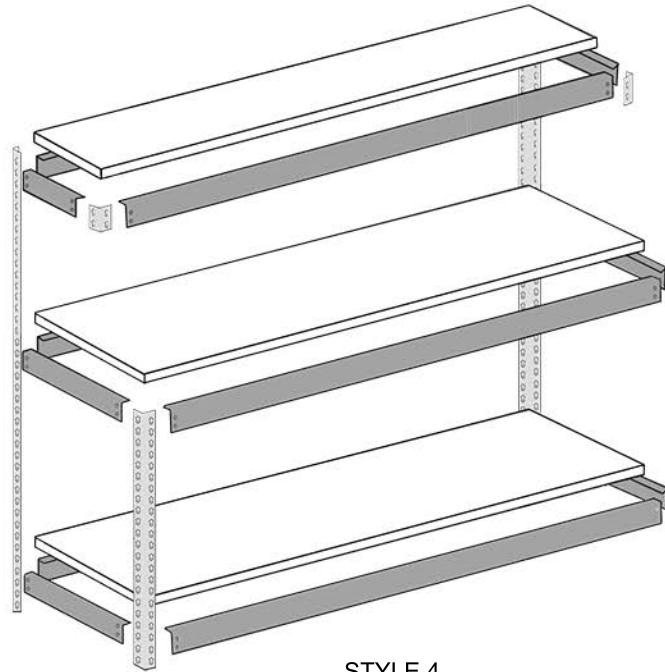
Workbench -Rivet System STYLE 3 & 4



Still need help? Give us a call at:
1-800-966-3999

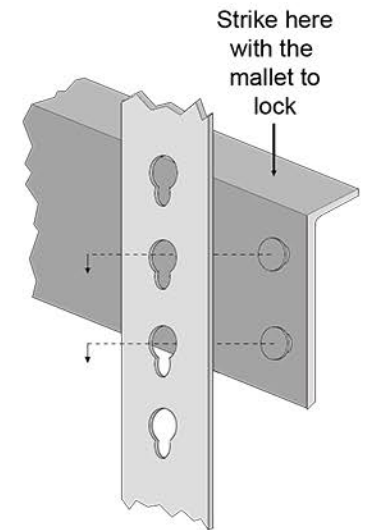


STYLE 3
(Work Surface with
Riser Shelf)



STYLE 4
(Work Surface with
Riser Shelf and Bottom Shelf)

NOTE: Keyholes are tapered to ensure rivets fit properly when beams are struck firmly with a hammer or mallet.



1. Using a hammer or mallet, tap double rivet beams into upright posts to form the base (bottom shelf).
2. Tap double rivet beams into top of upright posts to create top shelf.
3. Place wood shelves into position.